

- o Flat Cable Connectors SEK
- o *har-mik®*
- o D-Sub
- o InduCom

Applications



Product details

09 21 007 3131

Female insert, Han 7 D

Series	Han D®, Han D® AV
Number of contacts	7 poles + PE
Size of hood/housing	Han® 3 A
Termination	Crimp termination
Insert material	Standard material
Contacts	Order separately
Housing material	Plastic
Electrical data	10 A 250 V 4 kV 3
RoHS compliant	Yes

Available Downloads

Title	Format	
Data sheet	PDF	download
CAD data 2D	DXF	download
CAD data 3D	IGES	download

Inquiry

5

4

3

2

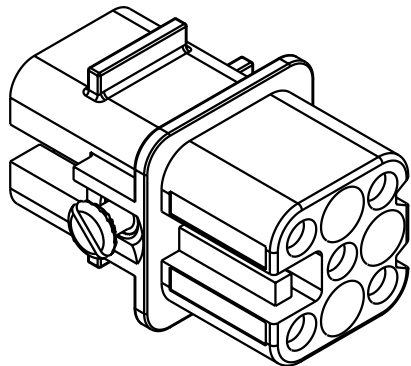
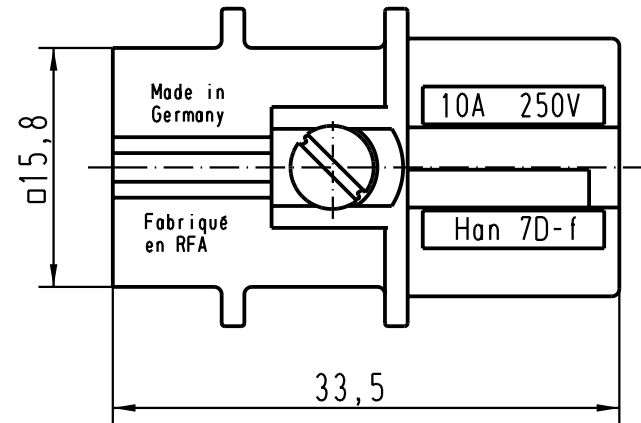
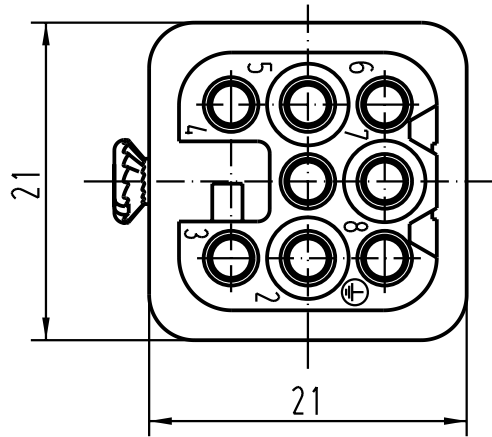
1



D

C

B

A



 All Dimensions in mm Original Size DIN A 4			Techn. Character.			Nicht tolerierte Masse/ Free size tolerances		
				Dat.	Name	Massstab/Scale		
			Detail.	25.02.93	PENNER	2:1		
			Insp.		HERB			
			Stand.					
410278	01.12.02	DY	HARTING Electric GmbH & Co. KG			 TB 09 21 007 3131		
Mod.	Dat.	Name	D-32339 Espelkamp					Sub. TB 09 21 007 3131 v. 14.06.85
						Blatt/ page		